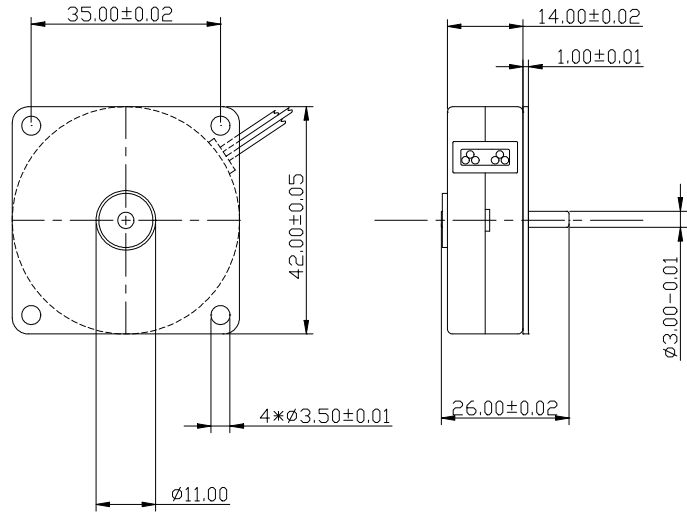
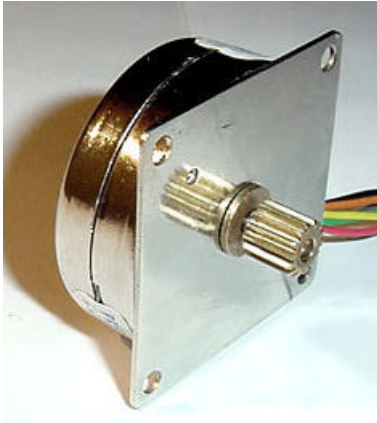


B-48-42-B



SPECIFICATIONS		B-48-42-B17	B-48-42-B15	B-48-42-B18
	Units	Bipolar, Medium Torque	Bipolar, High Torque, High Speed	Bipolar, High Torque, High Speed
Operating Voltage	V	6	12	24
Rated Current	mA	700	1000	800
Resistance per phase	Ω	8	12	30
Inductance per phase	mH	5	7	16
Holding Torque	g-cm	580	1650	1360
Detent Torque	g-cm	85	85	85
Rotor Inertia	g-m ²	10.6×10^{-4}	10.6×10^{-4}	10.6×10^{-4}
Weight	gms	90	90	90
Step Angle	degrees	7.5	7.5	7.5
Step angle accuracy	°	$\pm 0.5^\circ$	$\pm 0.5^\circ$	$\pm 0.5^\circ$
Max. operating Temperature	°C	100	100	100
Dielectric strength		1000 VAC for 1 min.	1000 VAC for 1 min.	1000 VAC for 1 min.
End play	mm	0.2	0.2	0.2

B-48-42-B
Torque Vs. Speed at rated current

