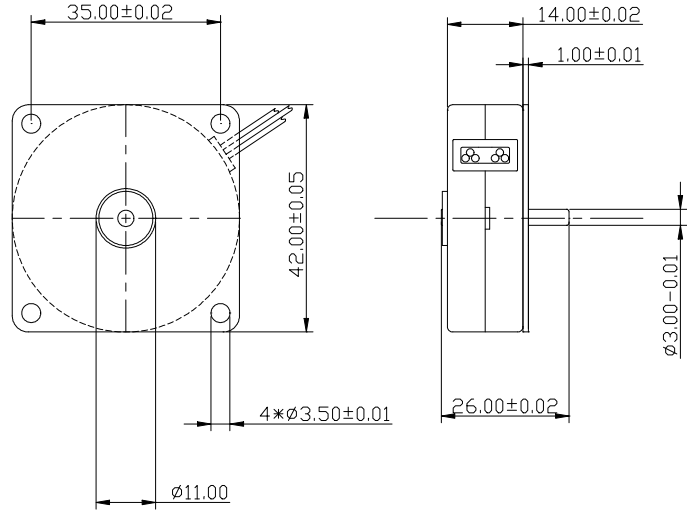
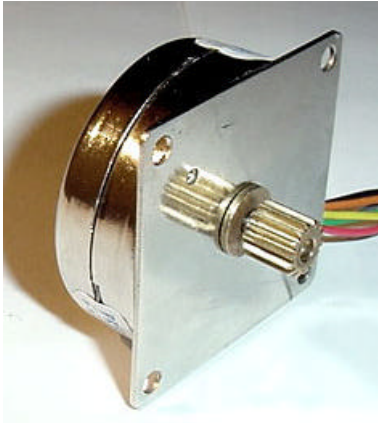


# B-48-42-U



SPECIFICATIONS		B-48-42-U19	B-48-42-U110	B-48-42-U14
	Units	Unipolar, Low Torque	Unipolar, Medium Torque	Unipolar, High Torque, High Speed
Operating Voltage	V	6	12	24
Rated Current	mA	830	500	600
Resistance per phase	$\Omega$	6	24	40
Inductance per phase	mH	1.8	7.5	14
Holding Torque	g-cm	420	630	890
Detent Torque	g-cm	85	85	85
Rotor Inertia	g-m <sup>2</sup>	$10.6 \times 10^{-4}$	$10.6 \times 10^{-4}$	$10.6 \times 10^{-4}$
Weight	gms	90	90	90
Step Angle	degrees	7.5	7.5	7.5
Step angle accuracy	$^{\circ}$	$\pm 0.5^{\circ}$	$\pm 0.5^{\circ}$	$\pm 0.5^{\circ}$
Max. operating Temperature	$^{\circ}\text{C}$	100	100	100
Dielectric strength		1000 VAC for 1 min.	1000 VAC for 1 min.	1000 VAC for 1 min.
End play	mm	0.2	0.2	0.2

