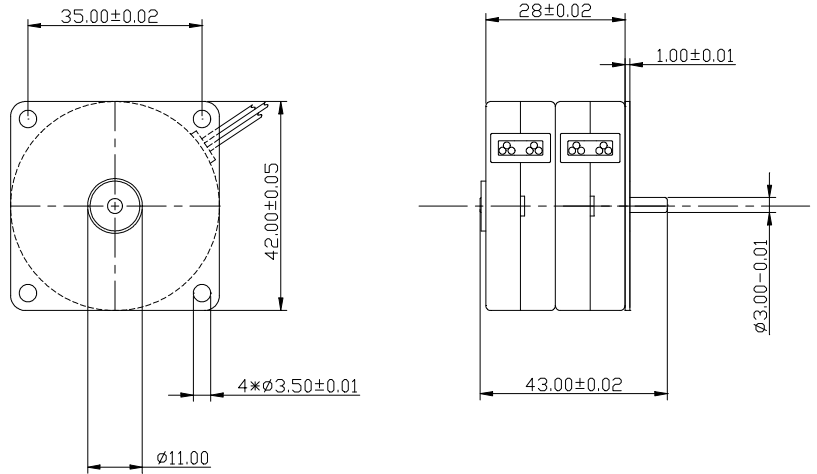
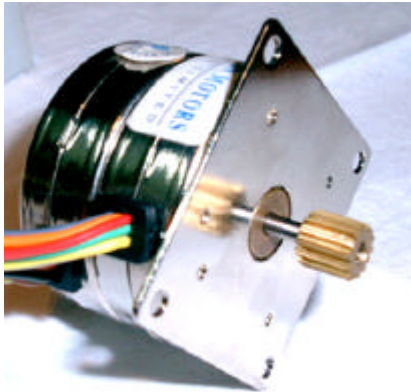


D-48-42-B



SPECIFICATIONS		D-48-42-B27	D-48-42-B25	D-48-42-B28
	Units	Bipolar, Medium Torque	Bipolar, High Torque	Bipolar, High Torque
Operating Voltage	V	6	12	24
Rated Current	mA	700 per stack	1000 per stack	800 per stack
Resistance per phase	Ω	4	6	15
Inductance per phase	mH	5	7	16
Holding Torque	g-cm	1015	2075	2410
Detent Torque	g-cm	105	105	105
Rotor Inertia	g-m ²	21.3×10^{-4}	21.3×10^{-4}	21.3×10^{-4}
Weight	gms	175	175	175
Step Angle	degrees	7.5	7.5	7.5
Step angle accuracy	°	$\pm 0.5^\circ$	$\pm 0.5^\circ$	$\pm 0.5^\circ$
Max. operating Temperature	°C	100	100	100
Dielectric strength		1000 VAC for 1 min.	1000 VAC for 1 min.	1000 VAC for 1 min.
End play	mm	0.2	0.2	0.2

