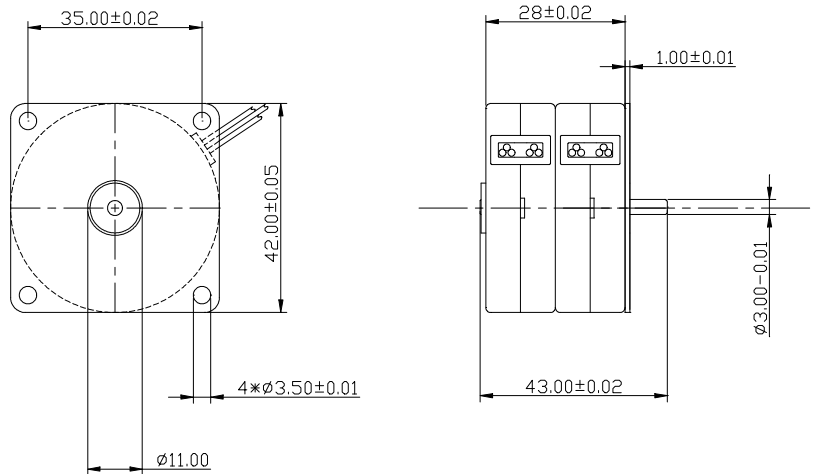
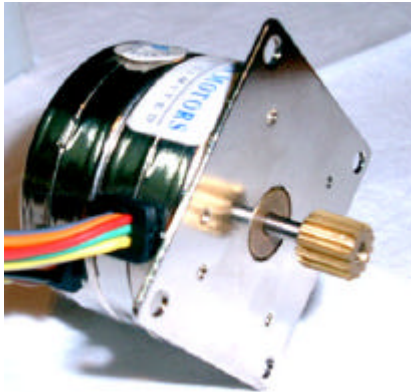


D-48-42-U



SPECIFICATIONS		D-48-42-U29	D-48-42-U28	D-48-42-U24C
	Units	Unipolar, Medium Torque	Unipolar, High Torque	Unipolar, High Torque
Operating Voltage	V	6	12	24
Rated Current	mA	800 per stack	450 per stack	550 per stack
Resistance per phase	Ω	3	10	22
Inductance per phase	mH	1.9	7.5	14
Holding Torque	g-cm	835	1488	1770
Detent Torque	g-cm	105	105	105
Rotor Inertia	g-m ²	21.3 X 10 ⁻⁴	21.3 X 10 ⁻⁴	21.3 X 10 ⁻⁴
Weight	gms	175	175	175
Step Angle	degrees	7.5	7.5	7.5
Step angle accuracy	°	± 0.5°	± 0.5°	± 0.5°
Max. operating Temperature	°C	100	100	100
Dielectric strength		1000 VAC for 1 min.	1000 VAC for 1 min.	1000 VAC for 1 min.
End play	mm	0.2	0.2	0.2

